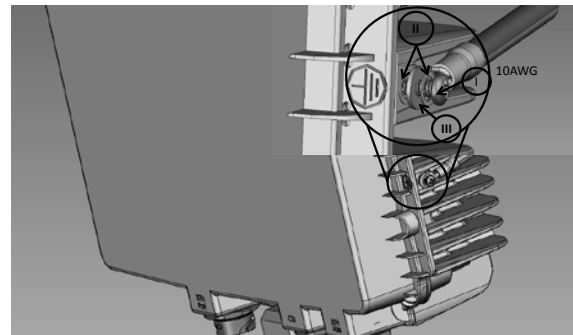


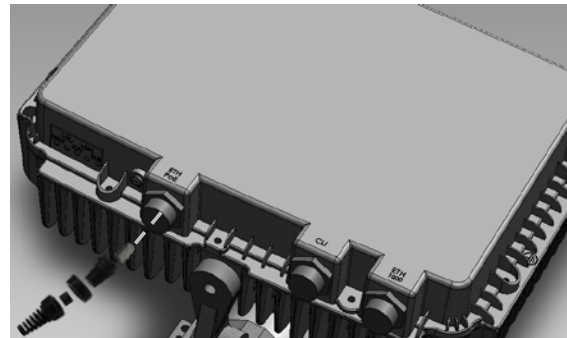
(4) Ground the NetPoint Pro 3x2.4 unit

Note: Connect the 10 AWG grounding cable before connecting any other cables. When removing the NetPoint Pro 3x2.4, the grounding cable should be the last cable removed.

Noter: Connecter la prise de terre 10 AWG avant de connecter tout autre câble. Pendant la désinstallation du Netpoint Pro 3x2.4, la prise de terre doit être le dernier câble retiré.

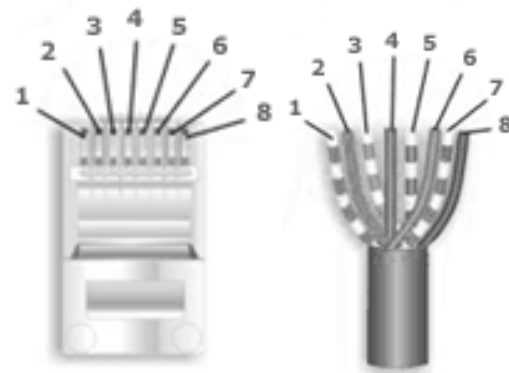


(5) Connect Ethernet PoE



Note: 1000Base T connection (N/A).

Power over Ethernet with Field Wiring








Power over Ethernet

Pin #	Signal
1	Data
2	Data
3	Data
4	+48V
5	+48V
6	Data
7	-48V
8	-48V

Components included in the package

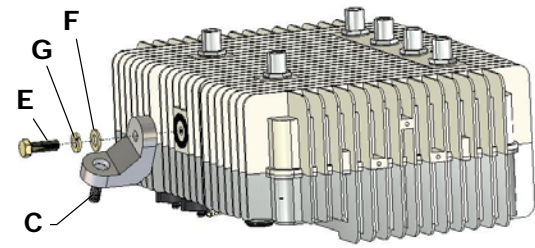
A Wall/Pole Bracket	B Clamping Bracket	C 'L' Adapter	D Hex Bolt M8x70	E Hex Bolt M8 x39	F Hex Bolt M8 x25	G Outlet Cable
 x1	 x1	 x1	 x2	 x1	 x1	 x1
H Flat Washer M8	I Spring Washer M8	J Nut M8	K 'T' Adapter	L Mesh Kit		
 x4	 x4	 x1	 x1	 (5.8Ghz) or (5.4Ghz) x1 (Optional)		
M Power Injector	N Grounding Kit	O Safety Cable	P Console Cable	Q Sealed RJ45 Connector		
 x1 (Optional)	 x1  x1  x1	 x1	 x1	 x1		

Additional tools and components provided by the customer

R Stainless Steel Hose Clamp 0.5" (13mm) width (size is based on diameter of pole)	S Hex Bolt 3/16" (5mm) + Fastener (appropriate for the material of the wall)	T Combination Wrench (13 mm)	U Slotted Screwdriver 1/8" (3mm) wide	V RJ45 Crimp Tool
 x2 Note: Only required when mounting to poles larger than 3".	 x4 Note: Only required for wall mounting.			

Installation Procedure

(1) Assemble the 'L' adapter to the NetPoint Pro 3x2.4 unit

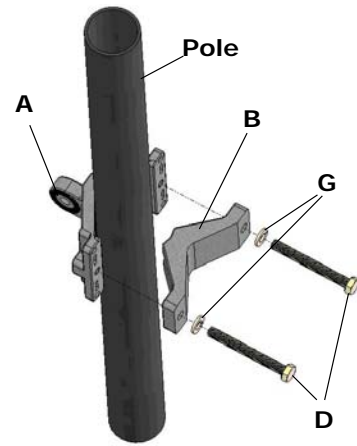


(2) Install the mounting brackets

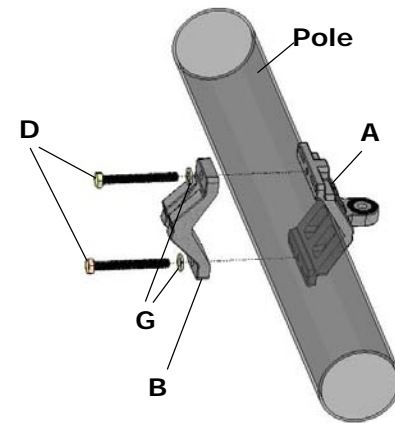
Note: When mounting the NetPoint Pro 3x2.4, the pole or wall mounting must support a minimum of 61.6 lbs (28 kg). In addition, the pole or wall mounting must support the wind loads from the NetPoint Pro 3x2.4. For example, the wind load at a wind velocity of 100 mph (160 km/h) is 24.2 lbs (11 kg) and the wind load at a wind velocity of 165 mph (264 km/h) is 66.1 lbs (30 kg).

Noter: Lorsque vous montez la NetPoint Pro 3x2.4, le poteau ou le montage mural doit supporter d'un minimum de 61.6 lbs (28 kg). En outre, le montage sur le poteau ou sur le mur doit appuyer les surcharges dues au vent de la NetPoint Pro 3x2.4 (par exemple, 24.2 lbs (11 kg) pour la vitesse du vent de 100 mph (160 km/h), 66.1 lb (30 kg) pour l'énergie éolienne Vitesse de 165 mph (264 km/h)).

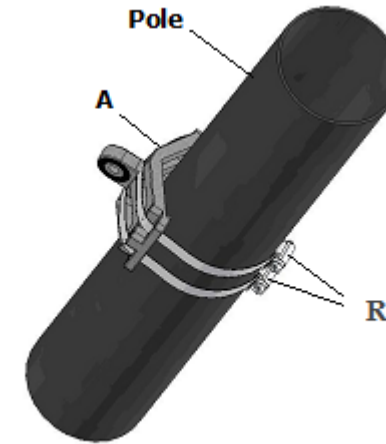
(2A) Narrow pole (1"-1.75" diameter)



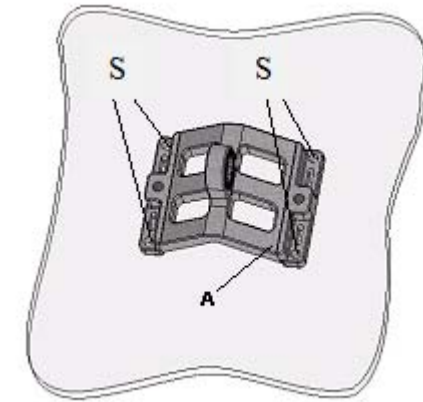
(2B) Normal pole (1"-1.75" diameter)



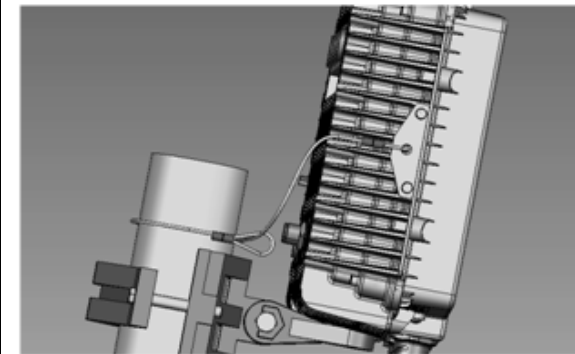
(2C) Large pole (larger than 3" diameter)



(2D) Wall mounting

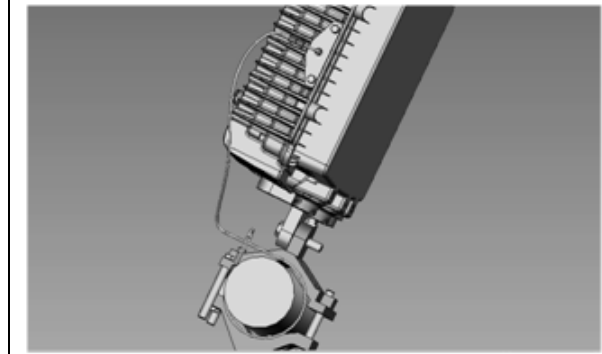


(3A) Mount the unit on vertical pole (3B) Assemble the Safety cable to the side



Note: Wrap the Safety cable around the pole first and then assemble.

(3C) Mount the unit on horizontal pole (3D) Assemble the Safety cable to the side



Note: Wrap the Safety cable around the pole first and then assemble.